

Dell Vostro 330

Setup And Features Information

About Warnings

 **WARNING:** A WARNING indicates a potential for property damage, personal injury, or death.

Front And Back View

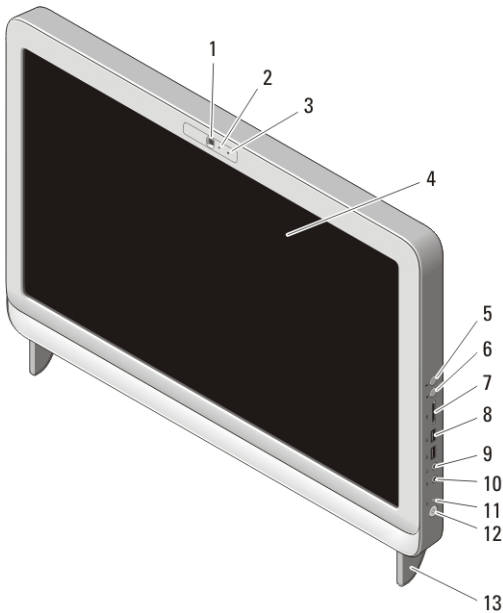


Figure 1. Front View

- | | |
|-----------------------------|---------------------------|
| 1. camera | 8. USB 2.0 connectors (2) |
| 2. camera activity light | 9. headphone connector |
| 3. microphone | 10. microphone connector |
| 4. display | 11. drive activity light |
| 5. volume increase button | 12. power button |
| 6. volume decrease button | 13. stand |
| 7. 7-in-1 media card reader | |



Regulatory Model: W02C
Regulatory Type: W02C001
January 2011

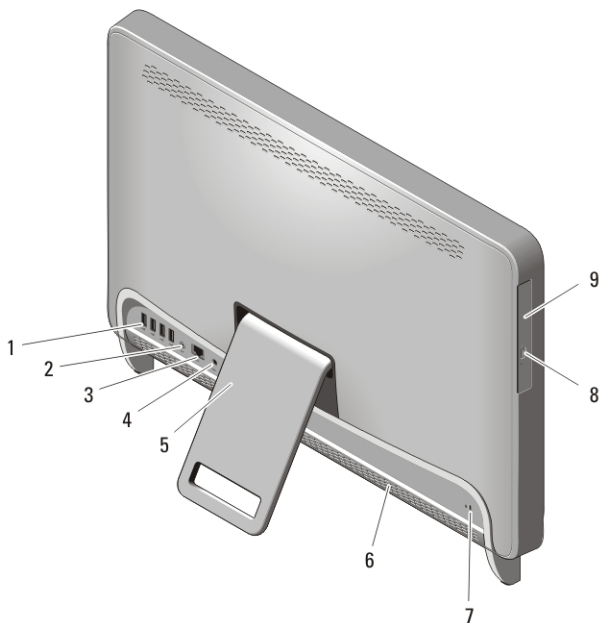


Figure 2. Back View

- | | |
|---------------------------|-------------------------------|
| 1. USB 2.0 connectors (4) | 6. cooling vents |
| 2. line-out connector | 7. security cable slot |
| 3. network connector | 8. optical-drive eject button |
| 4. power connector | 9. optical drive |
| 5. rear stand | |

Quick Setup

⚠ WARNING: Before you begin any of the procedures in this section, read the safety information that shipped with your computer. For additional best practices information, see www.dell.com/regulatory_compliance.

📝 NOTE: Some devices may not be included if you did not order them.

1. Set up the rear stand.



Figure 3. Rear Stand setup

2. Connect the USB keyboard or mouse. To connect a wireless keyboard and mouse, see *Setting Up Your Dell Cordless Mouse, Keyboard, and USB Receiver* tech sheet that shipped with your wireless keyboard and mouse.



Figure 4. USB Connection

3. Connect the network cable (optional).

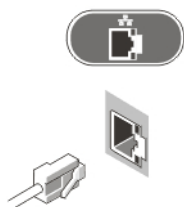


Figure 5. Network Connection

4. Connect the power cable.



WARNING: Connect the power adapter to the nearest power outlet.



WARNING: Extension cords or power strips should never be used as a substitute for permanent electrical wiring.

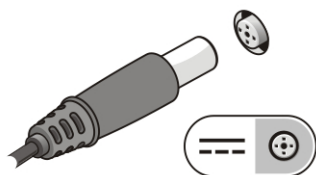


Figure 6. Connecting Power

5. Press the power button on the computer.



Figure 7. Turning On Power

Specifications



NOTE: The following specifications are only those required by law to ship with your computer. For a complete and current listing of the specifications for your computer, go to support.dell.com.

System Information

Chipset	Intel HM57
---------	------------

Processor

Processor	<ul style="list-style-type: none">• Intel Core i3• Intel Core i5• Intel Core i7• Intel Pentium Dual Core
-----------	---

Video

Video Type:

Integrated	Intel HD Graphics
------------	-------------------

Discrete	ATI Mobility Radeon HD 5470
----------	-----------------------------

Video Memory:

Integrated	Up to 384 MB of shared video memory
------------	-------------------------------------

Discrete	1 GB DDR3
----------	-----------

Memory

Memory module connector	two DIMM slots
-------------------------	----------------

Memory module capacity	1 GB, 2 GB, and 4 GB
------------------------	----------------------

Type	1333 MHz DDR3 (Non-ECC only)
------	------------------------------

Minimum memory	2 GB
----------------	------

Maximum memory	8 GB
----------------	------

Drives

Externally accessible:

5.1-inch drive bays	one
---------------------	-----

Drives

Internally accessible:

3.5-inch SATA drive bays	one
--------------------------	-----

Control Lights And Diagnostic Lights

Power light	<p>White light — Solid white light indicates power-on state.</p> <p>Amber light — The computer is in sleep/standby mode or there might be an issue with the system board or the power supply. Blinking amber light indicates that the computer has detected an error during the Power-on self-test (POST).</p>
Drive activity light	<p>White light — Blinking white light indicates that the computer is reading data from or writing data to the hard drive.</p>
Network connectivity light	<p>Green light — A good connection exists between the network and the computer.</p> <p>Off (no light) — The computer is not detecting a physical connection to the network.</p>

Physical

Height	420 mm (16.5 inches)
Width	570 mm (22.4 inches)
Depth	90 mm (3.5 inches)
Weight	
Touchscreen	8.95 kg (19.73 lb)
Non-touchscreen	8.15 kg (17.97 lb)

Environmental

Temperature:

Operating	10 °C to 35 °C (50 °F to 95 °F)
-----------	---------------------------------

Environmental

Storage	-40 °C to 65 °C (-40 °F to 149 °F)
Relative humidity	20 % to 80 % (noncondensing)
Altitude:	
Operating	-15.2 m to 3048 m (-50 ft to 10,000 ft)
Storage	-15.2 m to 10,668 m (-50 ft to 35,000 ft)
Airborne contaminant level	G1 as defined by ISA-71.04-1985

AC Adapter

Input voltage	100 VAC to 240 VAC	
Input current	1.5A/1.6A/2.3A/2.5A	
Input frequency	50 Hz to 60 Hz	
Output power	90 W/130 W	
Output current:		
90 W	4.62 A	
130 W	6.70 A	
Rated output voltage	19.5 +/- 1 VDC	
Dimensions:	90 W	130 W
Height	32 mm (1.26 inches)	25.40 mm (1 inch)
Width	128 mm (5.04 inches)	154 mm (6.06 inches)
Depth	52 mm (2.05 inches)	76.20 mm (3.00 inches)
Temperature range:		
Operating	0 °C to 40 °C (32 °F to 104 °F)	
Storage	-40 °C to 70 °C (-40 °F to 158 °F)	

Finding More Information and Resources

See the safety and regulatory documents that shipped with your computer and the regulatory compliance website at www.dell.com/regulatory_compliance for more information on:

- Safety best practices
- Regulatory certification
- Ergonomics

See www.dell.com for additional information on:

- Warranty
- Terms and Conditions (U.S. only)
- End User License Agreement

Information in this publication is subject to change without notice.

© 2010 Dell Inc. All rights reserved.

Reproduction of these materials in any manner whatsoever without the written permission of Dell Inc. is strictly forbidden.

Trademarks used in this text: Dell™, the DELL logo, Dell Precision™, Precision ON™, ExpressCharge™, Latitude™, Latitude ON™, OptiPlex™, Vostro™, and Wi-Fi Catcher™ are trademarks of Dell Inc. Intel®, Pentium®, Xeon®, Core™, Atom™, Centrino®, and Celeron® are registered trademarks or trademarks of Intel Corporation in the U.S. and other countries. AMD® is a registered trademark and AMD Opteron™, AMD Phenom™, AMD Sempron™, AMD Athlon™, ATI Radeon™, and ATI FirePro™ are trademarks of Advanced Micro Devices, Inc. Microsoft®, Windows®, MS-DOS®, Windows Vista®, the Windows Vista start button, and Office Outlook® are either trademarks or registered trademarks of Microsoft Corporation in the United States and/or other countries. Blu-ray Disc™ is a trademark owned by the Blu-ray Disc Association (BDA) and licensed for use on discs and players. The Bluetooth® word mark is a registered trademark and owned by the Bluetooth® SIG, Inc. and any use of such mark by Dell Inc. is under license. Wi-Fi® is a registered trademark of Wireless Ethernet Compatibility Alliance, Inc.

Other trademarks and trade names may be used in this publication to refer to either the entities claiming the marks and names or their products, Dell Inc. disclaims any proprietary interest in trademarks and trade names other than its own.